

BETRIEBSANLEITUNG
OPERATING INSTRUCTIONS
INSTRUCCIONES DE SERVICE
ISTRUZIONI D'USO
HANDLEIDING
INSTRUCCIONES PARA EL MANEJO
MANUAL DE INSTRUÇÕES
NAUDOJIMOSI INSTRUKCIJA
KASUTUSJUHEND
LIETOŠANAS INSTRUKCIJA
DRIFTSINSTRUKS
DRIFTSINSTRUKTIONER
DRIFTSVEJLEDNING
INSTRUKCJA OBSŁUGI

KEZELÉSI ÚTMUTATÓ
NÁVOD K OBSLUZE
NAVODILO ZA UPORABO
NÁVOD NA OBSLUHU
UPUTE ZA RAD
MANUAL DE OPERATII
TREORACHA OIBRIÚCHÁIN
ΟΔΗΓΙΕΣ ΧΡΗΣΗΣ
EL KITABI
ИНСТРУКЦИИ ЗА ЕКСПЛОАТАЦИЯ
ИНСТРУКЦИЯ ПО ЕКСПЛУАТАЦИИ
取扱説明書
사용설명서
使用说明书

SV 400

MAKE IT BECKER.



 **BECKER**

1

	<table border="1"> <tr> <td></td> <td>No. year</td> </tr> <tr> <td>CE</td> <td>type</td> </tr> <tr> <td>frequency</td> <td>Hz</td> </tr> <tr> <td>speed</td> <td>min⁻¹</td> </tr> <tr> <td>power required</td> <td>kW</td> </tr> <tr> <td>inlet capacity</td> <td>m³/h</td> </tr> <tr> <td>pressure</td> <td>mbar</td> </tr> <tr> <td>vacuum</td> <td>mbar</td> </tr> </table>		No. year	CE	type	frequency	Hz	speed	min ⁻¹	power required	kW	inlet capacity	m ³ /h	pressure	mbar	vacuum	mbar	m ³ /h mbar
	No. year																	
CE	type																	
frequency	Hz																	
speed	min ⁻¹																	
power required	kW																	
inlet capacity	m ³ /h																	
pressure	mbar																	
vacuum	mbar																	
DIN EN ISO 11203 Accuracy Class 2 K _{pA} = 3 dB(A) l←1m	SV 400/1 (Pressure) ▶ 50/60 Hz, +267/+250 mbar L _{pA} = 76.8/76.1 dB(A)																	
	SV 400/1 (Vacuum) ▶ 50/60 Hz, -200/-200 mbar L _{pA} = 74.5/74.0 dB(A)																	
	SV 400/2 (Pressure) ▶ 50/60 Hz, +360/+330 mbar L _{pA} = 73.1/75.1 dB(A)																	
	SV 400/2 (Vacuum) ▶ 50/60 Hz, -260/-260 mbar L _{pA} = 71.1/73.0 dB(A)																	

2

static inst. ①-③		dynamic installation Gebr. BECKER
The pump must be securely mounted at the place of installation. Physical tension on the blower housing must be avoided.		
		44-57 kg 97-126 lbs

3

	40°C/104°F -10°C/14°F		40°C/104°F 0°C/32°F		optional en option optionale opcional Filter
INLET AIR				A > 100mm A > 4"	B > 295mm B > 11½"
	max. 800m		max. 90%		

4

5

	VACUUM		PRESSURE
			AIR >100°C >212°F
	optional en option optionale opcional		

6

Frequency > 60Hz
Please consult **BECKER**

BECKER <small>MADE IN GERMANY</small> 50 Hz <small>5000V</small> IP54 <small>2000000000</small> 2000000000 <small>2000000000</small> V A <small>11</small> 2000000000 <small>2000000000</small> A	BECKER <small>MADE IN GERMANY</small> 60 Hz <small>5000V</small> IP54 <small>2000000000</small> 2000000000 <small>2000000000</small> V A <small>11</small> 2000000000 <small>2000000000</small> A
--	--

CE

7

GENERAL

¹⁾ motor protection switch

ADDITIONAL $M \geq 5.5 \text{ kW}$

RECOMMENDATION

A
Softstart

B

ON (I) -

OFF (0) -

OPTIONAL

PTC

8

9

10




PRESSURE

G 3


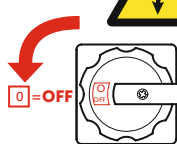




VACUUM

11


Maintenance

12

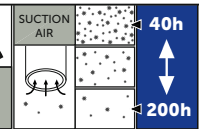







n=0min⁻¹



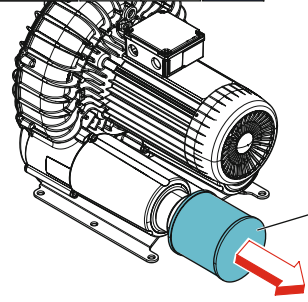
13

CLEANING INTERVAL



PRESSURE

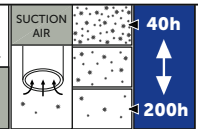
optional
en option
opcionale
opcional



F1

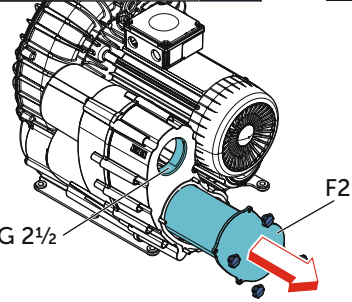
14

CLEANING INTERVAL



VACUUM PRESSURE

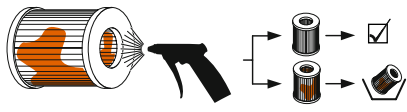
optional
en option
opcionale
opcional



G 2 1/2

F2

15




F1: PRESSURE

No.: 90957300000



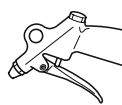
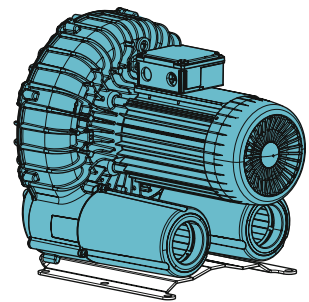
F2: VACUUM + PRESSURE

No.: 90951030000



EN149 - FFP3
42 CFR 84 - N100

16

17



Gebr. Becker GmbH
Hoelker Feld 29-31
42279 WUPPERTAL
GERMANY
info@becker-international.com
www.becker-international.com



The Becker logo consists of a circular icon with three stylized human figures inside, followed by the word **BECKER** in a bold, sans-serif font.



MAKE IT BECKER.

281000604001 | 2020-07-23 | All rights reserved